



**KOMO®**  
**Product certificate**  
**K101718/01**



Issued 2020-04-06 Replaces --  
 Valid until Indefinite D.d. --  
 Page 1 of 2

**Steel for the reinforcement of concrete B500A: coils**  
**Brandenburger Elektrostahlwerke GmbH**

**STATEMENT BY KIWA**

This product certificate is, issued on the basis of BRL 0501 "Steel for the reinforcement of concrete" (Betonstaal), dated 01 September 2010, including amendment sheet dated December 12, 2018 in accordance with the Kiwa-Regulations for Certification.

The quality system and product characteristics in association with Steel for the reinforcement of concrete are assessed periodically.

On this basis Kiwa declares that a justified confidence exists, that the Steel for the reinforcement of concrete delivered by the certificate holder at delivery fulfill:

- the technical specification laid down in this product certificate,
  - the product requirements as laid down in this product certificate and in the BRL.
- provided that Steel for the reinforcement of concrete have been marked with the KOMO®-mark in a manner as indicated in this product certificate;

Ron Scheepers  
 Kiwa

*This product certificate is listed in the overview on the website of Stichting KOMO: [www.komo.nl](http://www.komo.nl).  
 Advise: consult [www.kiwa.nl](http://www.kiwa.nl) to determine whether this product certificate is valid.*

Kiwa Nederland B.V.  
 Sir Winston Churchilllaan 273  
 Postbus 70  
 2280 AB RIJSWIJK  
 Tel. 088 998 44 00  
 Fax 088 998 44 20  
 info@kiwa.nl  
[www.kiwa.nl](http://www.kiwa.nl)

**Certificate holder**  
 Brandenburger Elektrostahlwerke GmbH  
 Woltersdorfer Straße 40  
 14770 BRANDENBURG  
 Germany  
 Tel. +49 3381 3500  
 FAX +49 3381 350210  
 direktion.bes@rivagroup.com  
[www.rivagroup.com](http://www.rivagroup.com)



Evaluated is:  
 quality system  
 product  
 Periodic inspection

CERTIFICATE

47317/0626

Steel for the reinforcement of concrete B500A coils

**TECHNICAL SPECIFICATION**

**Subject**

Steel for the reinforcement of concrete B500A (coils)

The products are in accordance with the requirements of chapter 4 of guideline BRL 0501 and with that of NEN 6008. The products are meant to be used in constructions of concrete.

**Product characteristics**

Classification :B500A  
 Production method :Cold profiled  
 Nominal size : 6 –8 mm  
 Delivery condition : coils (wild spooled)

**Marking**

The products are marked with a label with upon it at least on a clear and indelible way:

- the KOMO<sup>®</sup>-logo and the certificate number, figure 1;
- the classification B500A;
- the diameter;
- the rolling mark;
- heat number/cast number/coil number;
- name of the certificate holder;
- BRL 0501.

Place of the label: at least one label per coil

Steel for the reinforcement of concrete is marked on the following way:

On one rib row by omitted ribs, with the code (1-16), figure 2.

Place of the mark: on a mutual distance of ± 1,0 meter. The position of the transverse ribs may also be in reverse.

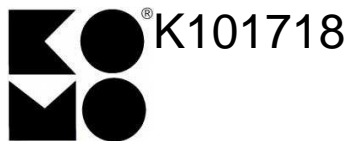
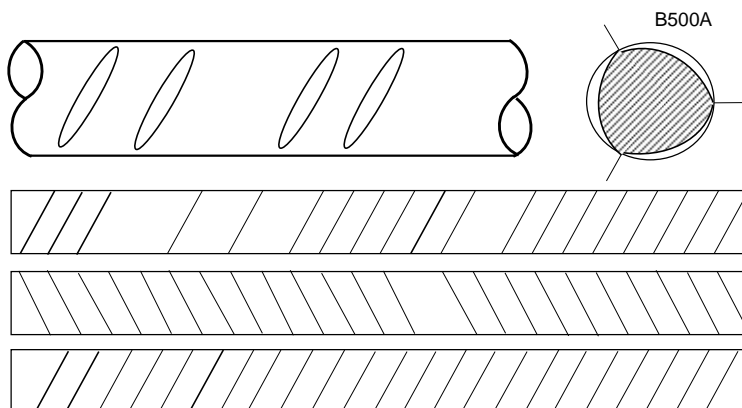


Figure 1



(1-16) Figure 2

**RECOMMENDATIONS FOR CUSTOMERS**

Check at the time of delivery whether:

- the supplier has delivered in accordance with the agreement;
- the mark and the marking method are correct;
- the products show no visible defects as a result of transport etc.

If you should reject a product on the basis of the above, please contact:

- Brandenburger Elektrostahlwerke GmbH

and, if necessary,

- Kiwa Nederland B.V.

Consult for the proper storage, transport and processing NEN-EN 13670.

**LIST OF DOCUMENTS**

NEN 6008 :Betonstaal  
 NEN-EN 13670 :Het vervaardigen van betonconstructies

\* For the actual version of the standards see the latest version of the BRL 0501 or latest amendment sheet.

